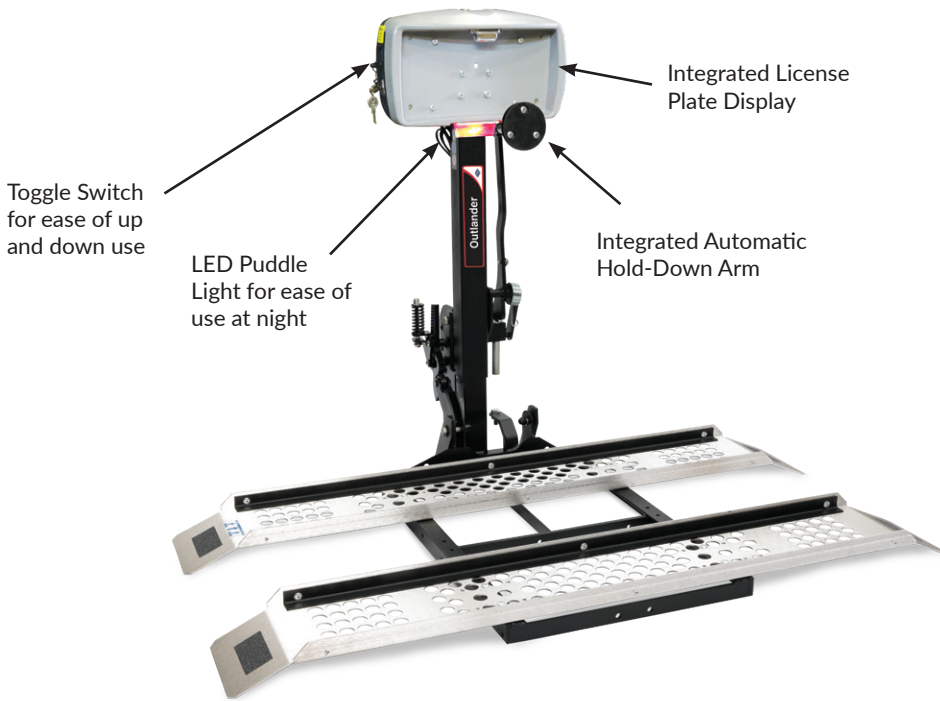


Outlander XL

Exterior Hitch Mount Platform Lift



Toggle Switch
for ease of up
and down use

LED Puddle
Light for ease of
use at night

Integrated License
Plate Display

Integrated Automatic
Hold-Down Arm

TWO-RAIL SCOOTER LIFT DESIGNED FOR LARGER 4-WHEEL SCOOTERS

The extra-large rails and integrated automatic scooter hold-down arm is designed to provide a secure self-locking mechanism for hands free securement.

The simple hitch-based installation requires little to no modification to your vehicle or mobility device and allows for easy removal. The easy load/unload of an unoccupied mobility device onto the platform enables access from either end of the lift.

25"

Max Travel Distance from Ground

350

Pound Capacity

LOW

Maintenance

27"

Maximum Product Width

OUTLANDER XL PRODUCT SPECIFICATIONS

Weight Capacity	350 lb (159 kg)
Vehicle Platform(s)	Full-Size Van, Minivan, Truck, Sedan, SUV and Crossover
Accommodates	Scooter
Securement Option(s)	Automatic Hold-Down Bar
Platform Size	28.6" x 56.7" (72.6 cm x 144.1 cm) with a max. usable space of 28.6" x 48.4" (72.6 cm x 123 cm)
Power	12V DC
Hitch Class	III, IV
Max Travel Distance from Ground	25" (63.5 cm)
Option(s)	Battery Pack with Charger, Swing-Away Adaptor, Strap Kit
Warranty	3-Year Transferable



harmar.com/paragon | 800.833.0478

7FEB20 | MKT-000145 REV A