

# PINNACLE SL600HD

## EVALUATION/ORDER FORM

Quote  Order

Date: \_\_\_\_\_

Sales Representative: \_\_\_\_\_

Dealer Name: \_\_\_\_\_

Address: \_\_\_\_\_

City: \_\_\_\_\_ State: \_\_\_\_\_ Zip: \_\_\_\_\_

Phone: \_\_\_\_\_ Fax: \_\_\_\_\_

Email: \_\_\_\_\_

Shipping Method:  Pick up  Common Carrier

Account Number: \_\_\_\_\_

Projected Close Date: \_\_\_\_\_

Purchase Order Number: \_\_\_\_\_

Ship To Address: \_\_\_\_\_

Contact: \_\_\_\_\_

Phone: \_\_\_\_\_

Opportunity Reference / Project Name: \_\_\_\_\_

### CONFIGURATION

QTY: \_\_\_\_\_ SL600HD: Standard 15'6" rail

### TRACK, PARTS AND OPTIONS

#### TRACK

QTY: \_\_\_\_\_ SL600T3: 3' mid-section assembly with brackets

QTY: \_\_\_\_\_ SL600T5: 5' mid-section assembly with brackets

QTY: \_\_\_\_\_ SL600T8: 7'9" mid-section assembly with brackets

SL600C: Custom cut\* \_\_\_\_\_ feet in length (including overrun)

\* Single unit orders only  
Must include additional mid-section(s) above if total above 15'6".

#### PARTS AND OPTIONS

QTY: \_\_\_\_\_ SL610: Key lock on lift (chassis)

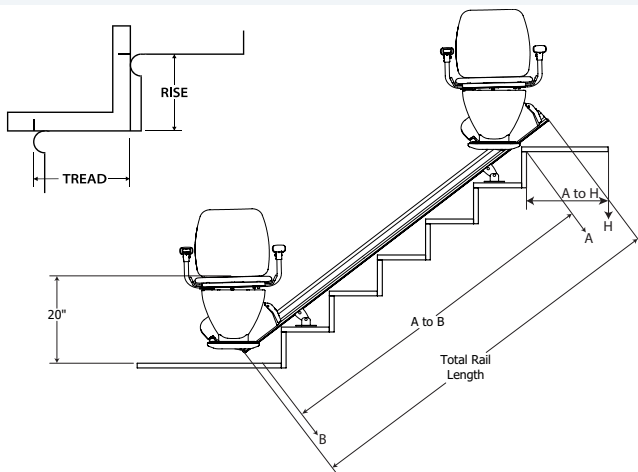
QTY: \_\_\_\_\_ SL600SB1: Additional short brackets

QTY: \_\_\_\_\_ SL600TB1: Additional tall brackets

QTY: \_\_\_\_\_ SL600CC8: 8' charger cord extension

QTY: \_\_\_\_\_ SL600-MLT: Manual lowering tool

### HOW TO MEASURE



#### MEASUREMENTS

\_\_\_\_\_ A to B: Inches from top landing to bottom floor

\_\_\_\_\_ A to H: Inches from top landing to nearest obstruction (i.e. a door)

Rise \_\_\_\_\_ in. Tread \_\_\_\_\_ in. Stair width \_\_\_\_\_ in.

7" overrun recommended if top landing is clear (This is added to the A to B)

Note: You must order a Tall Bracket if A to H is < 13".