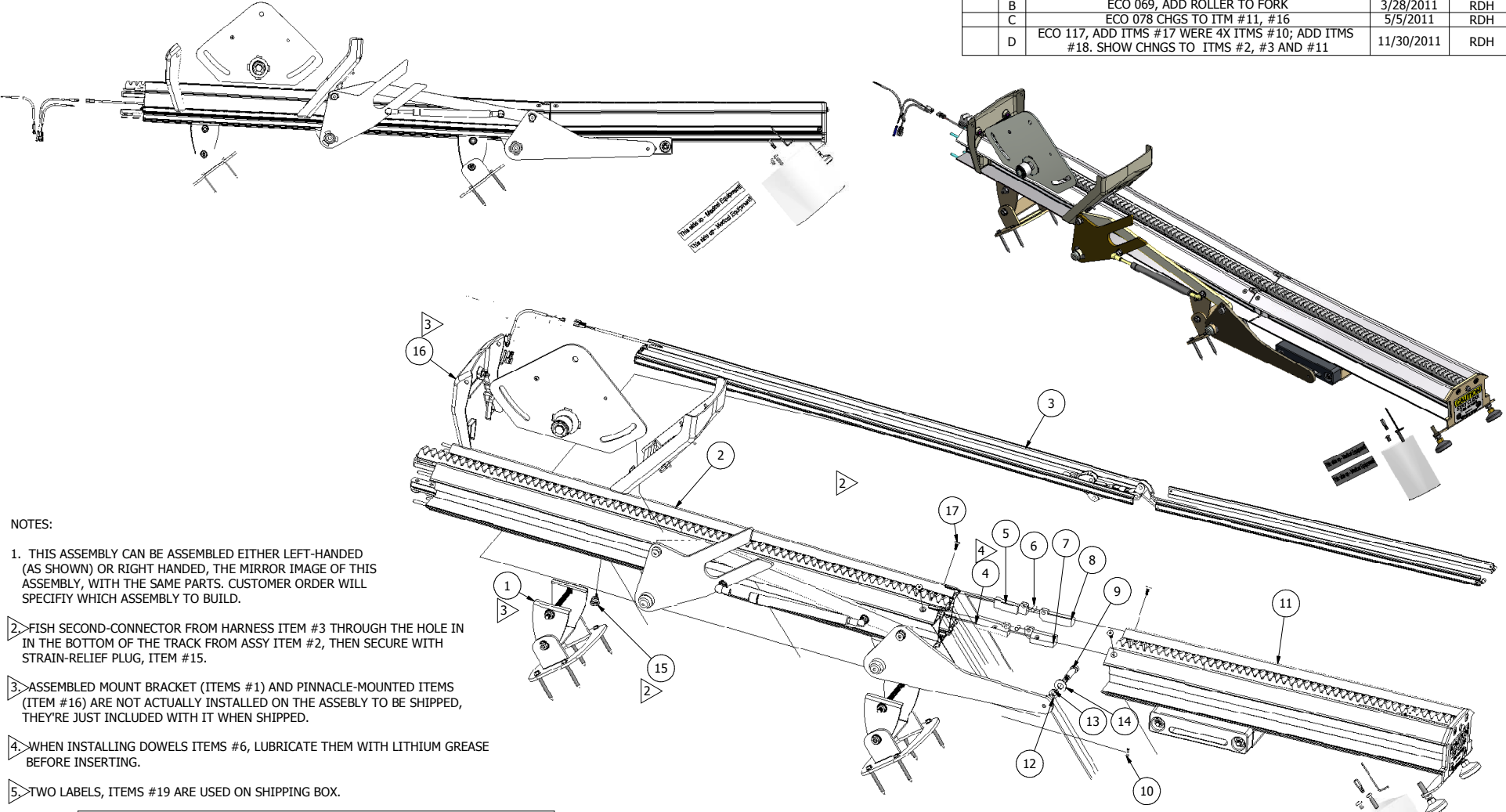


REVISION HISTORY				
ZONE	REV	DESCRIPTION	DATE	APPROVED
	A	ECO 055 NEW RELEASE	3/8/2011	RDH
	B	ECO 069, ADD ROLLER TO FORK	3/28/2011	RDH
	C	ECO 078 CHGS TO ITM #11, #16	5/5/2011	RDH
	D	ECO 117, ADD ITMS #17 WERE 4X ITMS #10; ADD ITMS #18. SHOW CHNGS TO ITMS #2, #3 AND #11	11/30/2011	RDH



NOTES:

1. THIS ASSEMBLY CAN BE ASSEMBLED EITHER LEFT-HANDED (AS SHOWN) OR RIGHT HANDED, THE MIRROR IMAGE OF THIS ASSEMBLY, WITH THE SAME PARTS. CUSTOMER ORDER WILL SPECIFY WHICH ASSEMBLY TO BUILD.
2. FISH SECOND-CONNECTOR FROM HARNESS ITEM #3 THROUGH THE HOLE IN THE BOTTOM OF THE TRACK FROM ASSY ITEM #2, THEN SECURE WITH STRAIN-RELIEF PLUG, ITEM #15.
3. ASSEMBLED MOUNT BRACKET (ITEMS #1) AND PINNACLE-MOUNTED ITEMS (ITEM #16) ARE NOT ACTUALLY INSTALLED ON THE ASSEMBLY TO BE SHIPPED, THEY'RE JUST INCLUDED WITH IT WHEN SHIPPED.
4. WHEN INSTALLING DOWELS ITEMS #6, LUBRICATE THEM WITH LITHIUM GREASE BEFORE INSERTING.
5. TWO LABELS, ITEMS #19 ARE USED ON SHIPPING BOX.

PARTS LIST				
ITEM	QTY	PART NUMBER	DESCRIPTION	
1	2	79121	ASSY, TRACK BRACKET, NEW	
2	1	79203	SUBASSY, UPPER FOLDING SECTION, PIN FLD TRK	
3	1	79201	ASSY, CABLE SLIDER, PINN FLD TRK	
4	1	75208	TRACK HINGE, UPPER LEFT, PFT	
5	1	75207	TRACK HINGE, UPPER RIGHT, PFT	
6	2	10773	DOWEL PIN, STEEL, DIA .250 X .500 LG	
7	1	75209	TRACK HINGE, LOWER LEFT, PFT	
8	1	75210	TRACK HINGE, LOWER RIGHT, PFT	
9	1	10044	BOLT, SHOULDER, SOCKET 3/8X1-1/2	
10	1	10309	SCREW, FH-MS, 10-32X1/2, ZP	
11	1	79204	SUBASSY, LOWER FLDING SECTION, PIN FLD TRK	
12	1	10059	Nut, HH-SR, 5/16-18, ZP	
13	1	10050	Washer, Flat, 5/16", ZP	
14	1	10063	Washer, 3/8"	
15	1	16097	Bushing,Heyco,Straight,1150	
16	1	79202	ASSY, PINN INSTALLED PARTS, PIN FLD TRK	
17	4	10020	SCREW, SKT,FH,MS,10-32X1/2	
18	2	76010	LABEL, THIS SIDE UP	

DRAWN <b>bob.hrenchir</b> CHECKED	3/8/2011		18505 E. 163rd St. Lake Winnebago, MO 64034 816-537-0611		
This document is the property of Harmar and is delivered upon the express condition that the contents will not be disclosed or used without the written consent of Harmar.			TITLE <b>ASSY, PINNACLE FOLDING TRACK</b>		
THIRD ANGLE PROJECTION 	Tolerance UNO X ±.1 .XX ±.01 .XXX ±.005 Holes ±.005 Ang ±.5°	SIZE <b>C</b>	FINISH 	DWG NO <b>79200</b>	REV <b>D</b>
SCALE		SHEET 1 OF 1			