

Date _____
 Sales Representative _____
 Dealer _____
 Address _____
 City _____ State _____ Zip _____
 Phone _____
 Fax _____
 Email _____
 Opportunity Reference / Project Name _____

Quote Order
 Account Number _____
 Purchase Order Number _____
 Shipping: Pick-up Fed Ex Palletized (premium)
 Ship To Address _____

 Contact _____
 Phone _____
 Projected Close Date _____

CONFIGURATION

QTY _____ SL300 Std. 16' Rail
 QTY _____ SL300COS, w/Chassis Obst. Sensors, 16' Rail Straight
 QTY _____ SL300FR-LH Folding Rail, Left Hand, 16' Rail
 QTY _____ SL300FR-RH Folding Rail, Right Hand, 16' Rail

TRACK, PARTS & OPTIONS

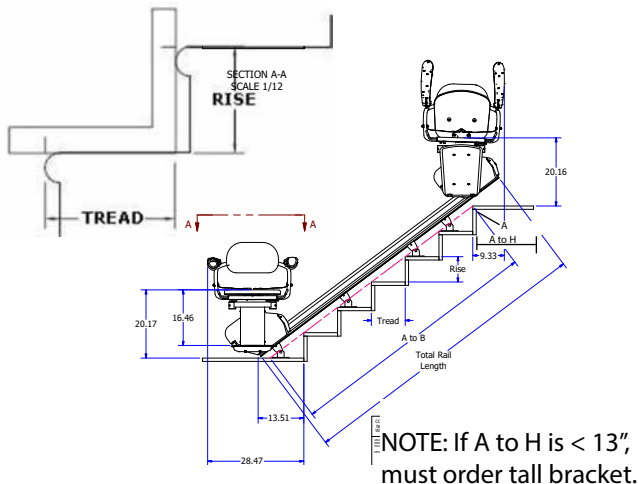
Track

QTY _____ SL600T3- 3' Mid Section Assembly w/brackets
 QTY _____ SL600T5- 5' Mid Section Assembly w/brackets
 QTY _____ SL600T8- 8' Mid Section Assembly w/brackets
 [] SL600C- Custom Cut _____ Ft in length (including overrun)
 single unit orders only.
 Must include additional mid-section(s) above if total above 16'.

Parts & Options

QTY _____ SL305 - Key Lock on Left (chassis)
 QTY _____ SL600SB1 - Additional Short Brackets
 QTY _____ SL600TB1 - Additional Tall Brackets
 QTY _____ SL600CC3 - 3' Charger Cord Extension
 QTY _____ SL600CC5 - 5' Charger Cord Extension
 QTY _____ SL600CC8 - 8' Charger Cord Extension
 QTY _____ SL300RET - Retractable Seat Belt (DIY Install)

HOW TO MEASURE



Measurements

_____ **A to B** - Inches from top landing to bottom floor
 _____ **A to H** - Inches from top landing to nearest obstruction—for example, a door
Rise _____ inches **Tread** _____ inches
 13" Overrun recommended if top landing is clear (This is added to the A to B)

Notes

